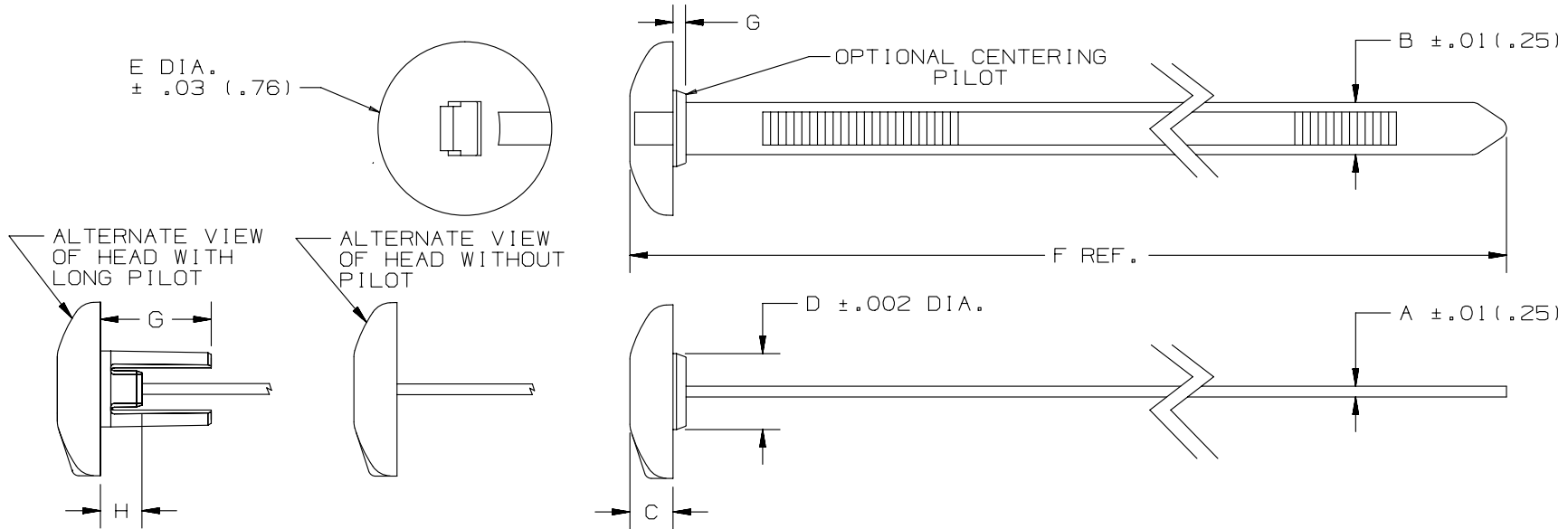


THIS COPY IS PROVIDED ON A RESTRICTED BASIS AND IS NOT TO BE USED IN ANY WAY DETRIMENTAL TO THE INTERESTS OF PANDUIT CORP.



PANDUIT * PART NO.	BUNDLE DIA.		A in (mm)	B in (mm)	C in (mm)	D in (mm)	E in (mm)	F in (mm)	G in (mm)	H in (mm)	RECOMMENDED HOLE SIZE RANGE	MIN. LOOP TENSILE lbs (N)	CROSS SECTION	WEIGHT 50 pcs lbs (g)
	MIN. in (mm)	MAX. in (mm)												
SSPM2.5H	.06 (1.5)	2.76 (70)	.062 (1.6)	.300 (7.6)	.248 (6.3)	—	1.0 (25.4)	10.1 (257)	—	—	.316 to .820 (8.0 to 21)	120 (534)	HEAVY	.519 (235)
SSPM2.5HP	.06 (1.5)	2.76 (70)	.062 (1.6)	.300 (7.6)	.248 (6.3)	.437 (11.1)	1.0 (25.4)	10.1 (257)	.075 (1.9)	—	.440 to .820 (11.2 to 21)	120 (534)	HEAVY	.526 (239)
SSPM4H	.06 (1.5)	4.0 (102)	.062 (1.6)	.300 (7.6)	.248 (6.3)	—	1.0 (25.4)	14.8 (376)	—	—	.316 to .820 (8.0 to 21)	120 (534)	HEAVY	.685 (311)
SSPM4HP	.06 (1.5)	4.0 (102)	.062 (1.6)	.300 (7.6)	.248 (6.3)	.437 (11.1)	1.0 (25.4)	14.8 (376)	.075 (1.9)	—	.440 to .820 (11.2 to 21)	120 (534)	HEAVY	.691 (313)
SSPM4HLP	.06 (1.5)	4.0 (102)	.062 (1.6)	.300 (7.6)	.248 (6.3)	.437 (11.1)	1.0 (25.4)	14.8 (376)	.630 (16)	.236 (6.0)	.440 to .820 (11.2 to 21)	120 (534)	HEAVY	.722 (327)

NOTE: \*1) \*SEE [www.panduit.com](http://www.panduit.com) FOR PART NUMBER SUFFIX DESIGNATION FOR PACKAGE SIZE, PART MATERIAL, PART COLOR AND ANY THIRD PARTY RECOGNITION OR COMPLIANCE.

DIMENSIONS IN PARENTHESES ARE IN METRIC UNITS

TITLE <b>SSPM STA-STRAP - PANEL MOUNT CABLE TIE</b> CUSTOMER DRAWING		<b>PANDUIT</b>											
ITEM REVISION NAME <b>SS_26346_00/AB</b>													
DATASET FILE NAME <b>SS_26346_08</b>													
UNLESS OTHERWISE SPECIFIED, DIMENSIONAL TOLERANCES ARE: IN (mm) .x ± .1 (2.5)      .xxx ± .020 (.51) .xx ± .02 (.5)      ANGLES ± - - -													
DRAWING NUMBER: <b>SS-26346</b>		MATERIAL: <b>NYLON 6.6</b>											
DRAWN BY: <b>FKS</b> DATE: <b>3-27-91</b> CHK: <b>HVP</b> SCALE: <b>NONE</b>		DRAWING NUMBER: <b>SS-26346</b>											
REV: <b>08</b> DATE: <b>7/24/14</b> BY: <b>BWG</b> CHK: <b>MPH</b> APR: <b>JADE</b>		DRAWING NUMBER: <b>SS-26346</b>											
DESCRIPTION: <b>REVISED TITLE BORDER, MATERIAL NOTE AND NOTE 1. SEE ECN FOR DETAILS.</b>		DRAWING NUMBER: <b>SS-26346</b>											
REV	DATE	BY	CHK	APR	DESCRIPTION	ECN	DRAWN BY	DATE	CHK	SCALE	DRAWING NUMBER	SHT 1 OF 1	SIZE
							FKS	3-27-91	HVP	NONE	SS-26346		A